

PM 3HWMBAS C

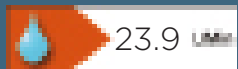
PRISM Tap Range Prism 3 Hole Wall Mounted Basin Mixer Chrome



Features:

- Ceramic disc valve for smooth flow control
- Easy-to-use lever handles
- High performance at pressures as low as 0.2 bar

Product Certifications:



For more products, visit our website:



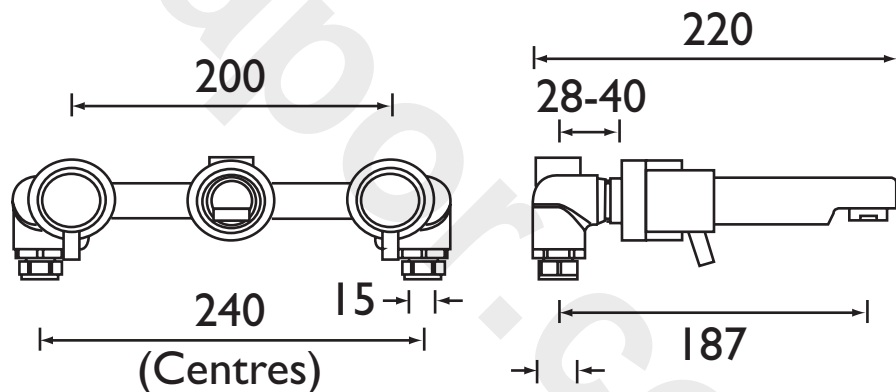
TECHNICAL
DATA
SHEET



Specification

Style:	Contemporary
Product Type:	Bathroom Taps
Finish/Colour:	Chrome
Main Construction Material:	Brass
Mount Type:	Wall Mounted
Handle Type:	Lever
Connection Inlet:	15mm Compression
Number of Tap Holes Required:	3
Valve/Cartridge Type:	1/2" Ceramic Disc Valves
Plumbing System Suitability	All
Working Pressure Range:	Min 0.2 bar, Max 5.0 bar
Maximum Hot Water Temperature: °c	65
Maximum Dynamic Pressure: (bar)	5
Maximum Static Pressure: (bar)	10
Flow Type:	Single Flow
Flow Rate: (l/min @ 3 bar)	27.6
Connection Outlet:	M24 Flow Straightener
Isolation Included:	No

Dimensions (measurements in mm)



(To suit max. wall thickness 26mm)

Flow Rates (l/min)

System Pressure (bar)	0.2	0.5	1	2	3	5
PM 3HWMBAS C (Hot)	7.1	11	15.5	22.1	27.6	35.6
PM 3HWMBAS C (Cold)	7.1	11.1	15.6	22.1	27.5	35.5

BRISTAN
TAPS & SHOWERS

D6